

RAC-960PE/PM

Standalone Access Controller



Features

- Memory buffer 90% full warning.
- Bell key design. Suit for various location.
- Support network or standalone operation.
- Casing tamper proof detection and door tampers alarm.
- Support swipe card and swipe card with pin codes enter modes.
- The memory of the standard model is 18,000 cardholders and 18,000 events.
- Another model with 170,000 events storage is available for optional purchase.
- Unique ID or Block read format supported. (RAC-960PM)
- Slim, stylish design with waterproof sensitive touch keypad with blue backlight.
- Built-in RS-485 & TCP / IP communication interface to PC. (Able to expand to 255 sets by RS-485 interface)
- Blacklist and Duress card/code setting. When door opened in the emergency, the controller will send signal to control center at the same time for tracing and rescue.
- Programmable disarm code and able set maximum attempts to trigger re-swipe card alarm. The controller time-out function will avoid intrusion in and has self security.
- Provide 50 sets guest card with configurable check digits, duration, usage time & frequency.
- Provide 32 working shifts and 32 siren output. LCD will display current shift and activate alarm. Provide 100 holiday schedules per year.
- Able to connect external slave reader, And support anti-passback to every single door.
- Provide 128 time zones and time schedules, 8 time conditional unlock door schedules. (per week)
- Display name on the LCD screen after swiped card. Function keys of access control and shifts which are convenient to personnel to generate time attendance reports.
- On-board lithium battery ensures data storage can reach up to 1 year upon power outage.

Ordering Information

Package Content:

- RAC-960 x 1
- Plate x 1
- Quick Start Guide x 1
- Accessory Pack x 1

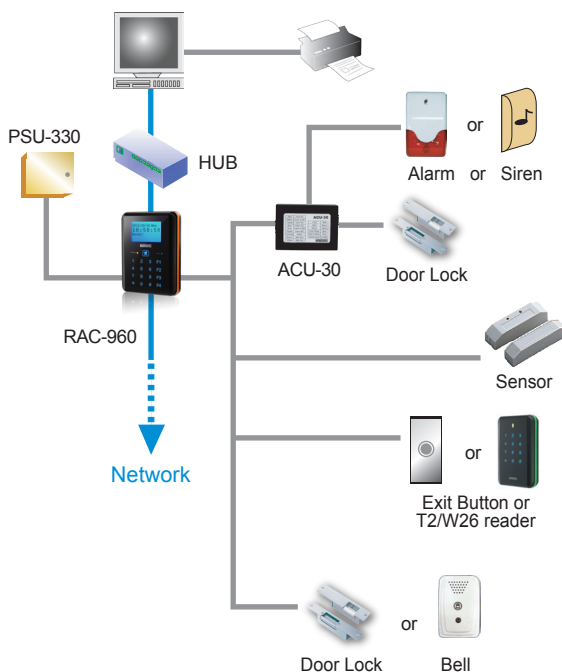
Supported Software:

- HAMS-19/20/22/24 Management System

Optional Accessories:

- AC-DC Adapter
- PSU-330 Uninterrupted Power Supply
- T2/W26 Proximity Reader
- ACU-30 slave controller

System Architecture



Specifications

| | |
|----------------------|---|
| Processor | 32 Bit |
| Memory | 1M |
| Input Ports | 3 Sensors (Door Sensor x 1, Exit Button x 1, Case Sensor x 1) |
| Output Ports | Relay x 1 (Door Lock or Bell) , O.C. Output x 2 (Door Lock / Alarm or Siren , external ACU-30) |
| Cardholders / Events | 18,000 / 18,000 |
| LED Indicator | Power / Comm. |
| LCD Display | 128 x 64 Dot. Graphic Display with backlight |
| Keypad | 17 Key (F1-F4, 0-9, *, #, Bell) (Sensitive Touch Keypad) |
| Real Time Clock | Yes |
| Beep Tone | Buzzer |
| ID or IP Setting | Command setting by keypad |
| Read Format & Range | Built-in EM / MIFARE® / MIFARE® DESFire module in the controller, able to connect with T1 / T2 / W26 type slave reader EM(125KHz) : 8~10cm(RAC-960PE)(max.) · MIFARE® / MIFARE® DESFire(13.56MHz) : 3~5cm(RAC-960PM)(max.) |
| Power Input | DC 12V / 1A |
| Current Consumption | 500mA. (max. excluding slave reader) |
| Comm. Interface | RS-485 / TCP/IP |
| Comm. Baudrate | RS-485 : 9,600/19,200 bps-N-8-1 ° TCP/IP : 10/100 Mbps |
| Operating Temp. | 0°C~ 55°C / 32°F~ 131°F |
| Relative Humidity | 20% ~ 80% (Non-condensing) |
| Dimension | 130mm(L) x 100mm(W) x 27mm(H) |
| Weight (Device) | 340g |